

MEET OUR BRAND NEW

airTouch

IR SERIES

Touch-free switches for high-traffic public environments. Safe, distant activation of devices, light switches, door controls, sanitary dispensers, elevators, exit switches and more.

EASILY INSTALLED, COST-EFFECTIVE, HYGIENIC.

SPECIFICATIONS

Sensor type	Infrared
Detection range	5-80cm / 2-32" adjustable
Housing materials	STS 316, STS 304, aluminum, chrome-plated brass
Functions	On/off, momentary, pro-longed
Visual feedback	Dot LED in sensor housing
Programmable	Field programmable (optional)
Connectivity	Ability to connect IOT module (Bluetooth, WiFi)

ELECTRICAL DATA

Operating voltage	3V-24V DC (AC optional)
Switching voltage	3V-24V DC (AC optional)
Switching power	Up to 2A standard (optional high current by relay)
Switching output	Voltage out, open collector or dry contact
Operating current	25 μ A in standby mode

MECHANICAL DATA

Operating cycles	> 1,000,000
Housing mounting diameter	22 mm or 28 mm
Wiring	Standard wires (special connectors are available upon request)

ENVIRONMENTAL DATA

Operating temperature	-20C to +75C / -4°F-167°F
Storage temperature	-40C to +80C / -40°F-180°F
IP protection	IP67

PRODUCT TYPES

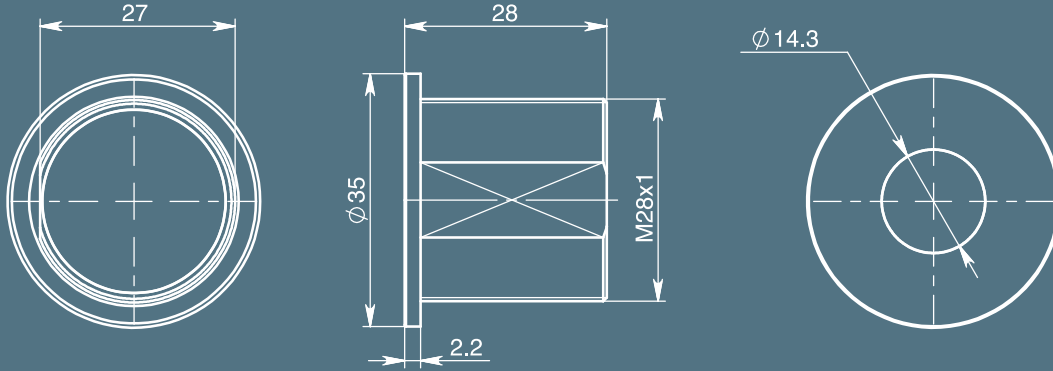
Exit switch	IR ES 28
Smart switch	IR SS 28
Sanitary applications	IR SA 28

* Programmed for faucets, urinals, toilets & showers
* Ability to operate any type of solenoid valve

airTouch

IR SERIES

TECHNICAL DRAWING



TYPE SBI

	Diameter	Function	Current	Voltage	Connection	Voltage	Material	Color
SBI								

- 11** 22 mm mounting
- 33** 28 mm mounting
- A** Standard Open Collector
- D** Dry Contact
- P** Programmable (remote control)
- V** Voltage Output
- B** 1Amp standard
- C** 2Amps and above are custom
- P** Pins
- W** Wires 24 AWG 30cm standard
- C** Cable 60cm standard
- 12** 12 Volt
- 24** 24 Volt
- 1** Aluminum type 6061 T651
- 2** Stainless steel type 316
- 3** Chrome Plated Brass
- N** Natural (only option for Steel)
- B** Black
- R** Red
- G** Green
- O** Gold
- L** Blue

The specifications, descriptions and illustrations indicated in this document are based on current information. All content is subject to modifications and amendments. Users should evaluate the suitability and test each product selected for their own applications.



www.barantec.com



info@baran-at.com

EVERSWITCH
by

